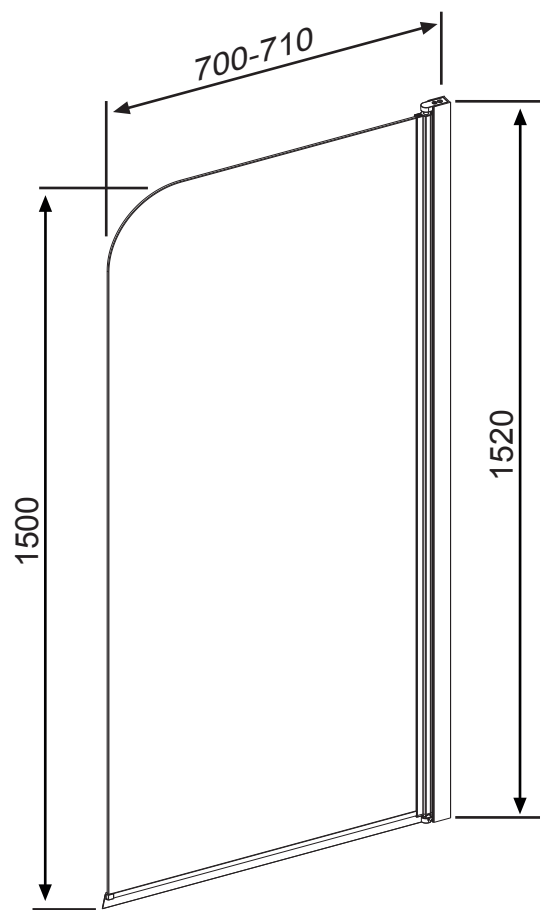
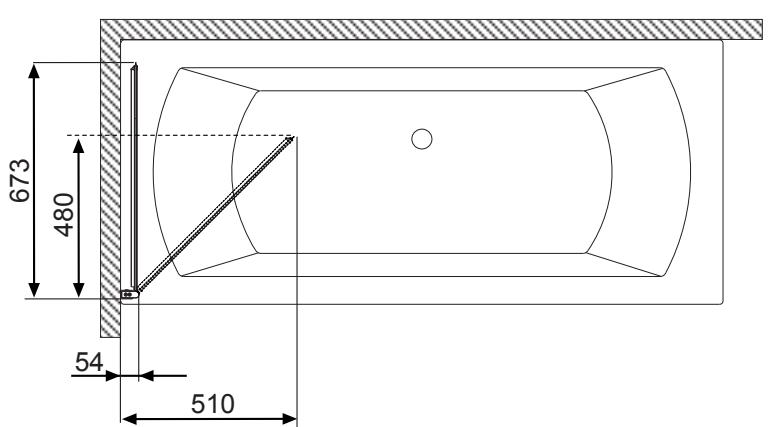
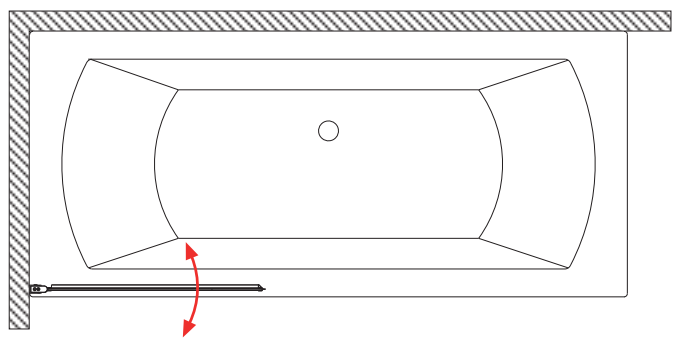
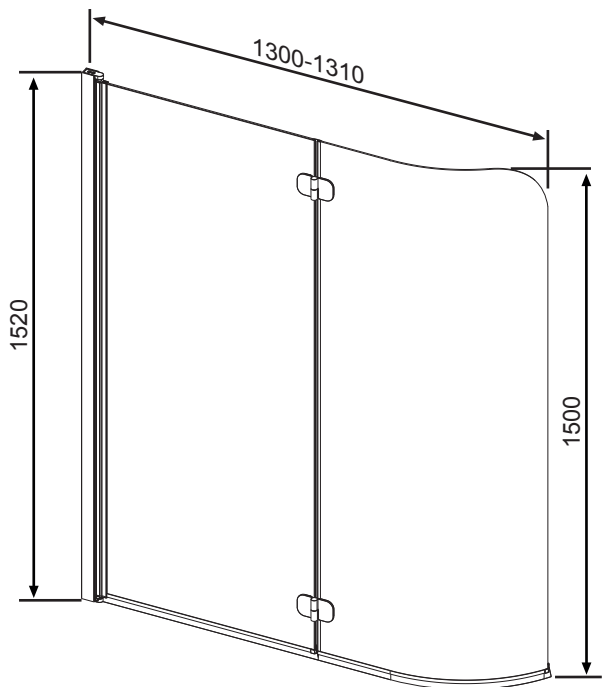


Wariant LEWY  
Variant L

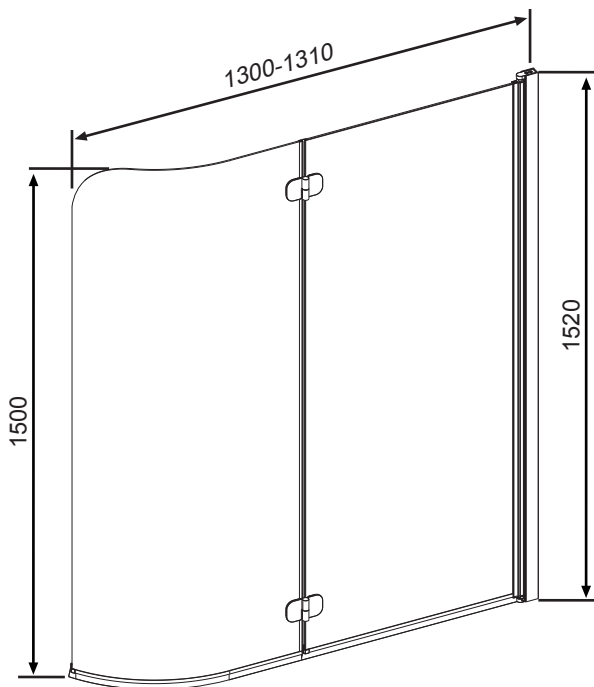


Wariant PRAWY  
Variant R





Wariant LEWY  
Variant L



Wariant PRAWY  
Variant R

