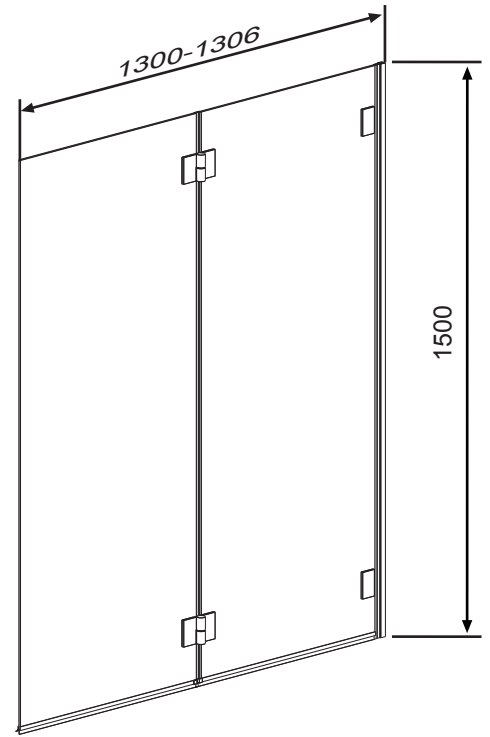


Wariant LEWY  
Variant L



Wariant PRAWY  
Variant R

